

OWNER'S MANUAL

LOPTROTTER
AUDIO ENGINEERING

SAT 500

DYNAMICS PROCESSOR

SAT 500

SAT 500 is a single channel module in 500 format fitted with a saturation circuit, which adds low order harmonics and smoothly evens the signal, all in an amazingly musical and ear friendly way. It can significantly increase the RMS level. The sound refers to old tube mixing consoles and tape recorders.

SAT 500 is equipped with unique solutions shaping the content of harmonics in the processed signal.

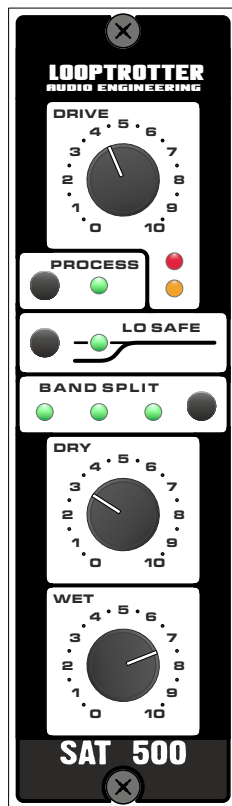
The **LO SAFE** option turns on the pre-emphasis and de-emphasis circuit, "preventing" the lowest frequencies from distortion. This option is specifically useful in case of instruments with high content of low frequencies, like bass guitar, kick drum, group of drums or the whole mix.

The **BAND SPLIT** option divides the signal band into two frequency ranges. This solution allows to saturate only the low frequencies, below the division point. High frequencies above the division point are mixed with the saturated signal in an unaltered form. This option is perfect for "thickening" the sound of instruments, without the audible saturation of high frequencies. There are three frequencies of division point to choose from - 800Hz, 2kHz and 6kHz.

The depth of saturation is smoothly controlled with the **DRIVE** knob.

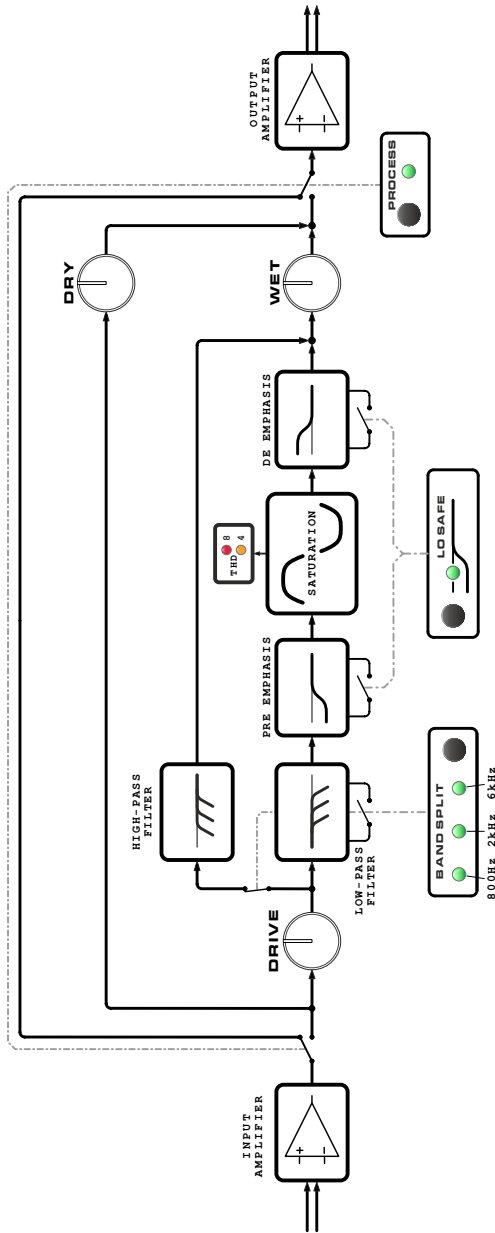
SAT 500 features an independent control over **DRY** and **WET** signal.

The depth of saturation (the amount of added harmonics) is indicated by two LEDs, lighting up at 4 and 8% THD.

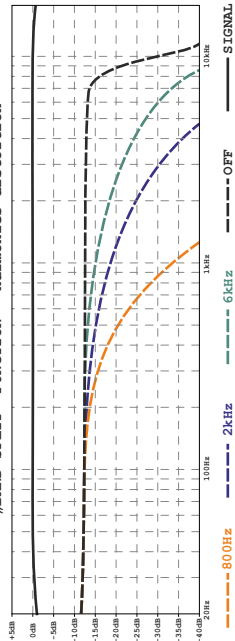


LOOPROTTER
AUDIO ENGINEERING

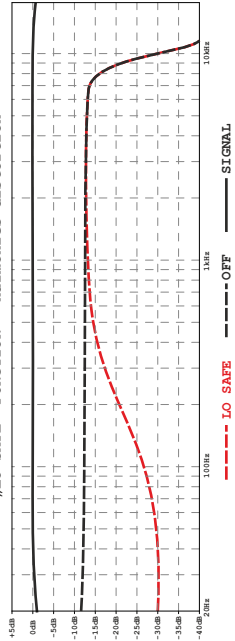
SAT 500



„BAND SPLIT“ FUNCTION - harmonics distortion



„LO SAFE“ FUNCTION - harmonics distortion



LOOPROTTER
AUDIO ENGINEERING

Contact:
www.looprotter.com.pl
looprotter@looprotter.com.pl

Distribution:
www.mjadiolab.pl
office@mjadiolab.pl

SAT 500

Artist:.....

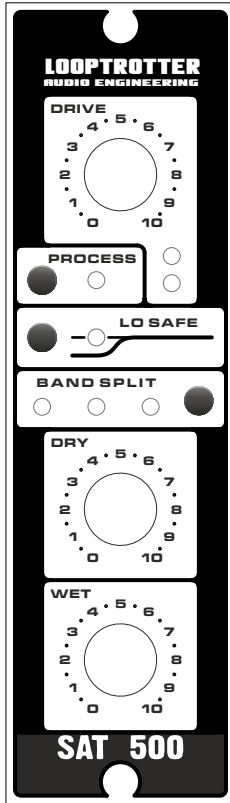
Track:.....

Instrument:.....

Sesion:.....

Date:.....

Notes:.....



LOOPROTTER
AUDIO ENGINEERING

Contact:
www.looprotter.com.pl
looprotter@looprotter.com.pl

Distribution:
www.mjadiolab.pl
office@mjadiolab.pl